

## DESCRIPTION

AMC MODEL SW-2181-2AT-10 IS AN ABSORPTIVE SPDT SWITCH MODULE WITH INTEGRAL TTL DRIVER.

## SPECIFICATIONS

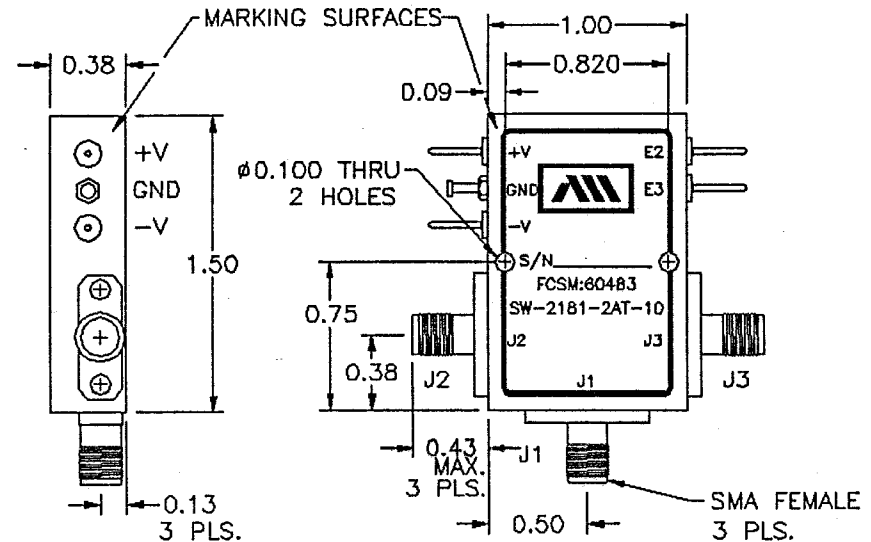
- FREQUENCY RANGE ..... 1-2 GHz MINIMUM
- INSERTION LOSS ..... 1.5 dB MAXIMUM
- ISOLATION ..... 80 dB MINIMUM
- VSWR (ON/OFF) ..... 1.4:1 MAXIMUM
- RF POWER RATINGS ..... 1 WATT CW MAXIMUM
- SWITCHING TIME
  - RISE (10% RF TO 90% RF) ..... 50 ns MAXIMUM
  - FALL (90% RF TO 10% RF) ..... 50 ns MAXIMUM
  - ON (50% TTL TO 90% RF) ..... 150 ns MAXIMUM
  - OFF (50% TTL TO 10% RF) ..... 150 ns MAXIMUM
- CONTROL ..... TTL COMPATIBLE, UNITY LOAD  
2 INDIVIDUAL CONTROLS  
LOGIC "0" = INSERTION LOSS  
LOGIC "1" = ISOLATION  
(SEE TRUTH TABLE)
- POWER SUPPLY ..... +5VDC  $\pm 5\%$  @ 130 mA MAXIMUM  
-15VDC  $\pm 5\%$  @ 60 mA MAXIMUM
- CONNECTORS
  - RF INPUT/OUTPUT ..... SMA (FEMALE)
  - POWER ..... SOLDER PIN
  - CONTROL ..... SOLDER PIN
- SIZE ..... 1.0" x 1.50" x 0.38"

## AVAILABLE OPTIONS

- A01 ..... 50 $\Omega$  CONTROL IMPEDANCE
- A02 ..... 100 $\Omega$  CONTROL IMPEDANCE
- A03 ..... INVERSE CONTROL LOGIC (LOGIC "0" ISOLATION)
- A14 ..... J1 SMA MALE, J2 AND J3 SMA FEMALE
- A16 ..... -5 VDC SUPPLY
- A17 ..... +12 VDC TO +15 VDC SUPPLY
- A18 ..... SINGLE CONTROL (LOGIC "0", J1-J2 PATH ON)
- A19 ..... EXTENDED FREQUENCY BAND (CONSULT FACTORY)

REVISIONS				
ZONE	REV.	DESCRIPTION	DATE	APPROVED
A		ORIGINAL RELEASE, JOB # 207181-1	11/22/92	<i>MJ</i>

## MECHANICAL OUTLINE




E3	E2	RF PATH
1	0	J1-J2
0	1	J1-J3

### NOTES:

- 1) DIMENSIONS ARE IN INCHES
- 2) TOLERANCES: X.XX  $\pm 0.020$   
X.XXX  $\pm 0.010$
- 3) WEIGHT: APPROX. 1.3 OZ

## ENVIRONMENTAL RATINGS

- TEMPERATURE ..... -55°C TO +95°C (OPERATING)  
-65°C TO +125°C (STORAGE)
- HUMIDITY ..... MIL-STD-202F, METHOD 103B COND. B
- SHOCK ..... MIL-STD-202F, METHOD 213B COND. B
- VIBRATION ..... MIL-STD-202F, METHOD 204D COND. B
- ALTITUDE ..... MIL-STD-202F, METHOD 105C COND. B
- TEMPERATURE CYCLE ..... MIL-STD-202F, METHOD 107D COND. A

		<b>AMERICAN MICROWAVE CORPORATION</b> 7311G GROVE RD., FREDERICK, MD. 21701 TEL: (301) 662-4700 FAX: (301) 662-4938	
APPROVALS DRAWN <i>WSP</i> CHECKED <i>WSP</i>	DATE 11/22/92 11/22/92	<b>PRODUCT FEATURE</b> <b>SW-2181-2AT-10</b> 1-2 GHz, NON-REFLECTIVE, SPDT SWITCH MODULE	
SIZE A	SHEET 1 OF 2	DWG. # 100-2882	